

Features

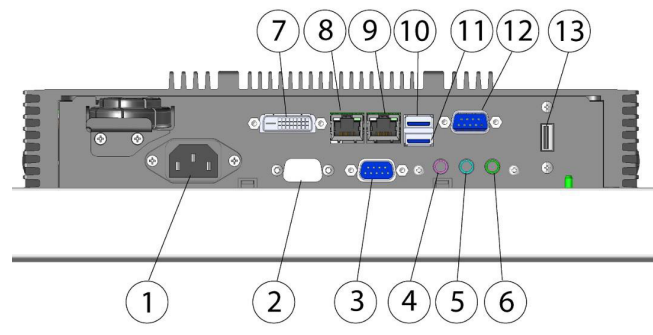
- ▶ Rugged fanless panel PC
- ▶ LED display 21.5" 16:9 LED display
- ▶ Resolution Full HD 1920 x 1080
- ▶ Processor Intel® Core™ i5-5350U
- ▶ Projected capacitive multi-touch touch screen
- ▶ Cable cover
- ▶ IP65 on front
- ▶ Internal power supply
- ▶ VESA 100 compliant
- ▶ Five years of standard warranty



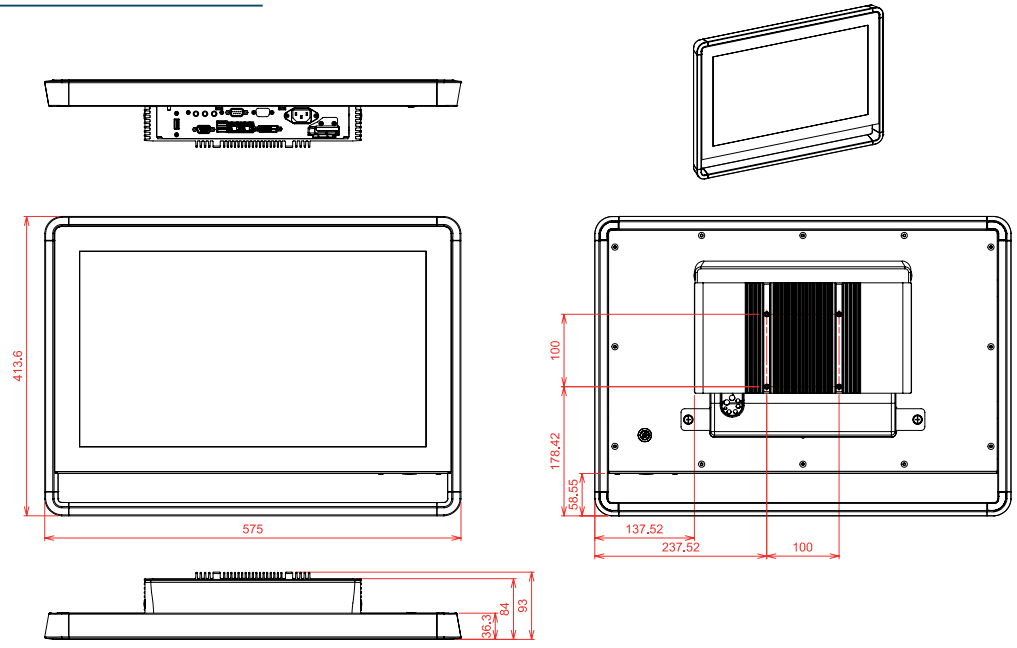
- Intel Core i5
- Windows
- IP65
- Fanless
- Résistant
- Multitouch
- Wifi
- Bluetooth

I/O ports

- | | |
|--------------------|----------------|
| 1 - Power | 9 - Ethernet 1 |
| 2 - COM 3 (option) | 10 - USB 3.0 |
| 3 - COM 2 | 11 - USB 3.0 |
| 4 - Micro | 12 - COM 1 |
| 5 - Line in | 13 - USB 2.0 |
| 6 - Line out | |
| 7 - DVI-I | |
| 8 - Ethernet 2 | |



Mechanical Drawing



Chassis	Frame	Anodized aluminum profile 1.5mm thickness
	Corner	Polycarbonate - Black color in base - Customise your color
	Front panel	Trueflat
	Rear cover	Aluminium 2mm thickness
	Color	Black color RAL9005
	Mouting	VESA 100
	IP level	IP65 on front
Display	LCD Size	21.5" 16:9 - Backlight LED
	Active area	476 x 268 mm
	Resolution	1920 x 1080 Full HD
	LCD color	16.7millions
	Pixel pitch	0.294 mm
	Brightness	300 cd/m2
	Contrast ratio	5000 : 1
	Viewing Angle (H-V)	170° - 170°
Touch screen	Type	Projected capacitive (10 touches)
System	CPU	Intel® Core™ i5-5350U - 1.8GHz
	Chipset	Intel® 5th Generation Core™ i U-series
	RAM	2 x DDR3L SO-DIMM (max. 16.0 Go)
Operating system		Windows 7 / 8.1 / 10 - Linux on specification
Storage	HDD/ SSD	1 x 2"1/2 SATA
	mSATA	1 x slot
I/O ports	I/O	2 x USB 2.0 - 1 x USB 3.0 - 2 x RS-232 - 1 x Display port 2 x Gigabit Ethernet (RJ45) 1 x Audio (Micro/line In/Line Out)
	Cable cover	Seal passage - Cables fixation - Captive screws
	Option	1 x RS-232 in more - Port RS-422/485 - RS-422/485 isolated
Options	Option box	Integrated in frame - Output on front or rear panel Housing sizes to allow for customized integration: USB, RS232, RFID reader, Emergency button, Functions Key,...
	Mounting option	Table stand, arm, ...
Audio	Amplifier	1 x 3W
Button & Indicator		ATX On/Off switch button with LED backlight
Cooling system		Fanless
Dimensions	Dimension WxHxD (mm)	575 x 413.6 x 93
	Weight (kg)	8.5
Power supply	AC~ (DC=)	115/230VAC - 1/0.5A - 50/60Hz - Power consumption: 35W max. 9~36 VDC - Power consumption: 35W max.
	Safety	EN60950-1
Safety & EMC	EMC	EN55022,EN61000-3-2,EN61000-3-3,EN55024,EN-61000-4-2,EN-61000-4-3, EN-61000-4-4, EN-61000-4-5, EN-61000-4-6, EN-61000-4-8, EN-61000-4-11
	Operating temperature	0° ~ + 45°C
Environment	Storage Temperature	- 20 + 60°C
	Relative Humidity	5 95 %
Warranty		5 years Parts & Labour return to base as standard
OPT/WIFI+BTHFFUT		Wifi a/b/g/n/ac + Bluetooth option
OPT/PIED/		Table stand support
Color		Customization on request & subject to conditions

Ordering Information

FUTURA 21WC1/* Rugged Panel PC - LCD TFT 21.5" LED - Intel® Core™ i5-5350U - PCAP touch screen- Choose power supply

* Choose your power supply type: AC / DC

Please ask for additional information about **Options & Accessories**.

Packing list

1 Power cord CE22 1.80 m (AC~ version)

1 Utility CD includes: User's manual

1 Utility CD includes: Drivers

1 Software Licence (label format)

1 Production&Traceability datasheet