

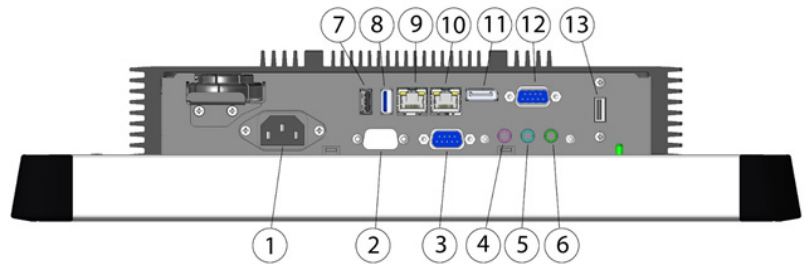
## Features

- ▶ Rugged fanless panel PC
- ▶ LED display 21.5" 16:9 LED display
- ▶ Resolution Full HD 1920 x 1080
- ▶ Processor Intel® Atom™ Core Quad E3845
- ▶ Projected capacitive multi-touch touch screen
- ▶ Cable cover
- ▶ IP65 on front
- ▶ Internal power supply
- ▶ VESA 100 compliant
- ▶ Five years of standard warranty

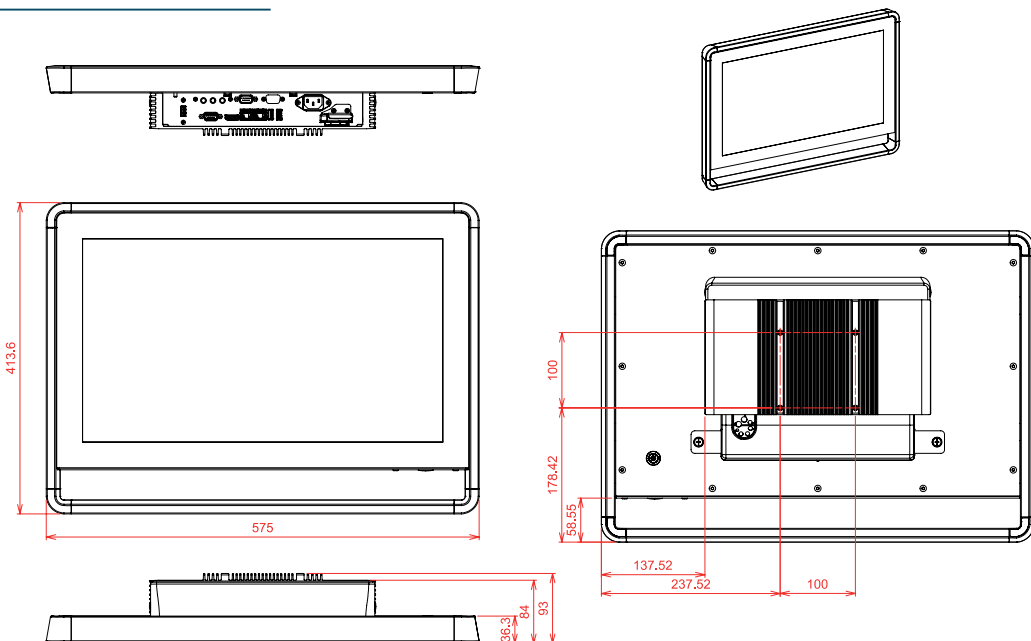


## I/O ports

- |                    |                   |
|--------------------|-------------------|
| 1 - Power          | 9 - Ethernet 2    |
| 2 - COM 3 (option) | 10 - Ethernet 1   |
| 3 - COM 2          | 11 - Display port |
| 4 - Micro          | 12 - COM 1        |
| 5 - Line in        | 13 - USB 2.0      |
| 6 - Line out       |                   |
| 7 - USB 2.0        |                   |
| 8 - USB 3.0        |                   |



## Mechanical Drawing



<b>Chassis</b>	Frame	Anodized aluminum profile 1.5mm thickness
	Corner	Polycarbonate - Black color in base - Customise your color
	Front panel	Trueflat
	Rear cover	Aluminium 2mm thickness
	Color	Black color RAL9005
	Mouting	VESA 100
	IP level	IP65 on front
<b>Display</b>	LCD Size	21.5" 16:9 - Backlight LED
	Active area	476 x 268 mm
	Resolution	1920 x 1080 Full HD
	LCD color	16.7millions
	Pixel pitch	0.294 mm
	Brightness	300 cd/m2
	Contrast ratio	5000 : 1
	Viewing Angle (H-V)	170° - 170°
<b>Touch screen</b>	Type	Projected capacitive (10 touches)
<b>System</b>	CPU	Intel® Atom™ Quad Core E3845 1.91 GHz
	Chipset	Intel® Atom™ SoC
	RAM	2x DDR3L SO-DIMM (max. 8.0 Go)
<b>Operating system</b>		Windows 7 / 8.1 / 10 - Linux on specification
<b>Storage</b>	HDD/ SSD	1 x 2"1/2 SATA
	mSATA	1 x slot
<b>I/O ports</b>	I/O	2 x USB 2.0 - 1 x USB 3.0 - 2 x RS-232 - 1 x Display port 2 x Gigabit Ethernet (RJ45) 1 x Audio (Micro/line In/Line Out)
	Cable cover	Seal passage - Cables fixation - Captive screws
	Option	1 x RS-232 in more - Port RS-422/485 - RS-422/485 isolated
<b>Options</b>	Option box	Integrated in frame - Output on front or rear panel Housing sizes to allow for customized integration: USB, RS232, RFID reader, Emergency button, Functions Key,...
	Mounting option	Table stand, arm, ...
<b>Audio</b>	Amplifier	1 x 3W
<b>Button &amp; Indicator</b>		ATX On/Off switch button with LED backlight
<b>Cooling system</b>		Fanless
<b>Dimensions</b>	Dimension WxHxD (mm)	575 x 413.6 x 93
	Weight (kg)	8.5
<b>Power supply</b>	AC~ (DC=)	115/230VAC - 1/0.5A - 50/60Hz - Power consumption: 35W max. 9~36 VDC - Power consumption: 35W max.
	Safety	EN60950-1
<b>Safety &amp; EMC</b>	EMC	EN55022, EN61000-3-2, EN61000-3-3, EN55024, EN-61000-4-2, EN-61000-4-3, EN-61000-4-4, EN-61000-4-5, EN-61000-4-6, EN-61000-4-8, EN-61000-4-11
	Operating temperature	0° ~ + 45°C
<b>Environment</b>	Storage Temperature	- 20 .... + 60°C
	Relative Humidity	5 ..... 95 %
<b>Warranty</b>		5 years Parts & Labour return to base as standard
<b>OPT/WIFI+BTHFFUT</b>		Wifi a/b/g/n/ac + Bluetooth option
<b>OPT/PIED/</b>		Table stand support
<b>Color</b>		Customization on request & subject to conditions

## Ordering Information

**FUTURA 21WQA/\*** Rugged Panel PC - LCD TFT 21.5" LED - Intel® Atom™ Core Quad E3845 - PCAP touch screen - Choose power supply

\* Choose your power supply type: AC / DC

Please ask for additional information about **Options & Accessories**.

## Packing list

1 Power cord CE22 1.80 m (AC~ version)

1 Utility CD includes: User's manual

1 Utility CD includes: Drivers

1 Software Licence (label format)

1 Production & Traceability datasheet